

WIRING DIAGRAM FOR E-HYDRA SHIFTER TG SERIES

Activation Kit # 48TK4686

IMPORTANT:

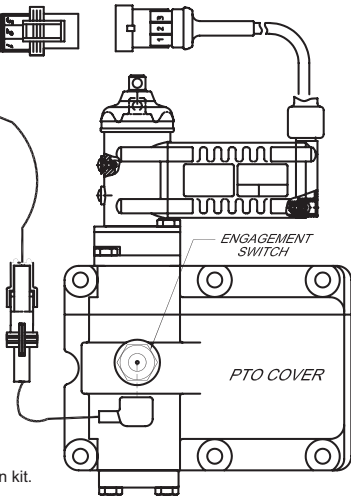
Follow PTO installation instructions IN84-03

1. The rocker switch and dash bracket (if used) is to be mounted in the cab within easy reach of the operator.
2. PTO engagement is made by pushing the rocker switch fully to the engage position and releasing the switch immediately upon engagement. (indicator light will light)
3. Drill .625 dia. hole in firewall, install black plastic grommet (p/n 37T35674) in hole and run the three wire connector through the grommet and plug into cab harness portion of harness. Note the orientation of the connector to insure proper assembly.
4. Plug the rocker switch receptacle onto the switch so that the green wire is up as noted in diagram.

E-HYDRA SHIFTER KITS*
 16TK4682 Standard 1 or 4 ass'y
 16TK4683 Standard 2 or 4 ass'y

16TK4844 Allison 1000/2000 1 or 4 ass'y
 16TK4845 Allison 1000/2000 2 or 3 ass'y

* includes shifter, indicator switch, and activation kit.



IN05-04 Printed in the U.S.A.
 © Muncie Power Products, Inc. 2005

Muncie Power Products, Inc. Member of the Interpump Hydraulics Group
 General Offices and Distribution Center • P.O. Box 548 • Muncie, IN 47308-0548
 (765) 284-7721 • FAX (765) 284-6991 • E-mail info@munciepower.com
 Web site <http://www.munciepower.com>

Drive Products, Inc., Toronto, Exclusive Agents for Canada, ISO Certified by an Accredited Registrar

